



微信公众账号



FACEBOOK

安徽长庚光学科技有限公司

www.laowalens.com

服务热线:400-066-1316

Email: sales@laowalens.com

电话Tel:(+86) 551-69107990

地址:合肥市庐阳区天水路与太和路交叉口庐阳中科大校友创新园5号楼

Add: Building 5, USTC Alumni Innovation Park, Crossing of Tianshui
and Taihe Road, Luyang District, Hefei City, Anhui Province, China

LAOWA 1.4x
Full Frame Expander

使用手册
Instruction Manual

LAOWA 老蛙

本公司保留更改产品设计与规格的权利, 届时恕不另行通知;
本公司保留对此《使用说明》的最终解释权。
Please note we reserve the right to change our product's
design and specifications at any time without notice and
to the final interpretation of the *Instruction Manual*.



Preface

Thank you very much for purchasing
LAOWA 1.4x Full Frame Expander.



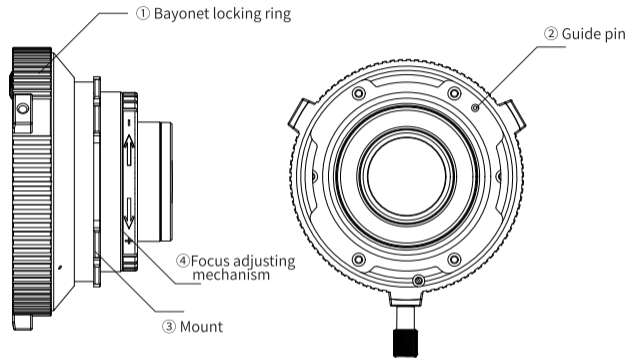
△ Read this operation manual carefully to familiarize yourself with its contents and ensure that you can operate the product properly. Keep the Instruction Manual in a safe place where it can easily be referenced whenever required. If you are still unable to solve the problem by reading the manual, please contact our after-sales service for further technical support.

- This 1.4x Full Frame Expander is tiny and versatile. It will expand the image circle and lengthen the focal length of a prime lens or a zoom cine lens. With the Laowa 1.4x full frame expander, you get a focal length multiplier of 1.4x, and you also lose one stop of light. This adapter allows you to expand the Super35 image circle of a lens so it can cover a full frame sensor. For example, if you use it with Laowa OOOM 25-100mm t/2.9 zoom lens, the lens will become a 35-140mm t/4.0 zoom lens covering 46.5mm image circle. (This adapter can work with most of the cine lens on the market. However, some cine lenses may not be able to be installed due to the different back element structure.)

△ Safety Precautions

- Do not disassemble, modify the adapter by yourself. Do not touch the internal parts that become exposed as the result of external force.
- Do not leave the adapter where it will be exposed to high temperatures, such as in direct sunlight and an enclosed vehicle. Excessive heat may deform the glass elements and other parts of the adapter.
- Do not leave the adapter under the sun. If sunlight is focused on a nearby object, it may cause a fire. Keep the lens cap attached when it's not in use.
- Do not place the sun in the frame center when shooting with backlight. Doing so might cause a fire or harm your eyes.
- The camera's built-in flash will cause barrel shadow if used with this lens. For the best results, please only use an external flash unit.

- Do not touch the surface of the lens directly. Brush off any dust with a blower. Wipe the surface with a cleaning cloth or a lens tissue.
- Try a circular motion from the center outward to remove oil, fingerprints and grime on the lens surface.
- If your adapter is brought directly from a cold place to a warm place, condensation may appear on the adapter. To avoid this, be sure to take some action to protect the adapter
- Note: Due to the low-pass filter dust-shield design of some RED movie cameras, the expander cannot be installed. If you need to use it, please remove the dust-shield by yourself.



① Bayonet locking ring ② Guide pin ③ Mount ④ Focus adjusting mechanism

■ To attach the adapter

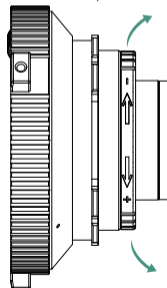
- Remove the adapter's front cap. Align the guide pin on the adapter with the bayonet (PL mount), then rotate the locking ring until it locks. For other bayonets (EF/E), mount the adapter by aligning the marks and rotate the lens until it locks. Place the lens on the camera mount, then rotate the lens according to the proper direction of the mount type until it locks. Do not use excessive force during installation to avoid damage to the bayonet.
- After attaching the lens, please try to rotate the lens to make sure it mounted onto the camera properly.

■ To remove the adapter

- Turn the camera off. While pressing and holding the lens release button on the camera, rotate the adapter in the reverse direction for attaching the adapter until it stops, then detaches the adapter. For PL bayonet, rotate the locking ring to remove the adapter.

■ Focus shift adjustment

- After the lens gets in focus, mount the 1.4x Full Frame Expander onto the lens. If the focus shifted, try to rotate the focus adjusting mechanism (shown in the figure) left and right until getting focus again, then the adjustment is complete.



LAOWA 1.4x Full Frame Expander	
Focal length multiplier	1.4x
With 25-100 focal length	35-140mm
With 25-100 T-stop range	4-32
Image Circle Diameter	ø46.5mm
Diameter	ø89mm
Length	57.5mm
Weight	330g
Mounts	PL-PL PL-E PL-EF EF-EF EF-E

The LAOWA logo is displayed in a bold, teal-colored, sans-serif font. The letters are thick and closely spaced, with the 'O' being a solid circle.